

D16 & D34 series

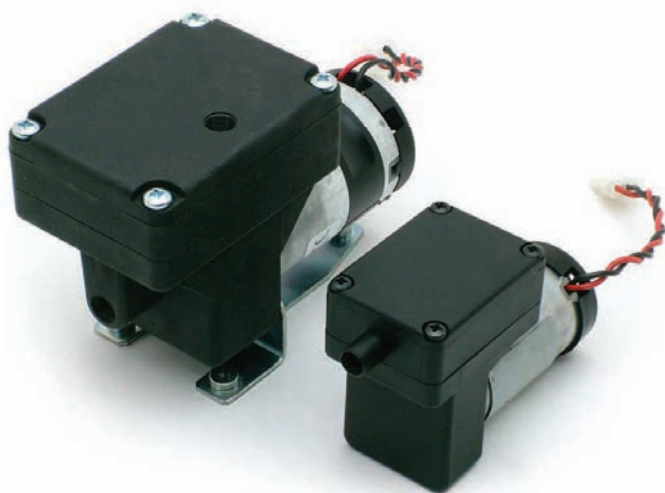
Charles Austen
Pumps Ltd



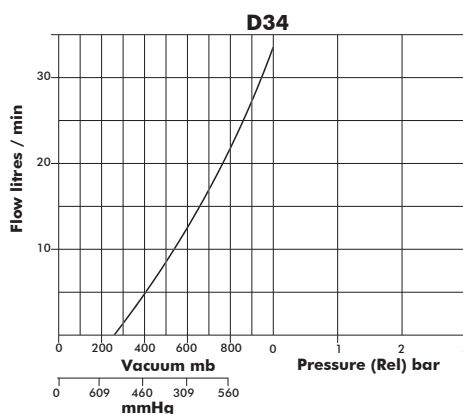
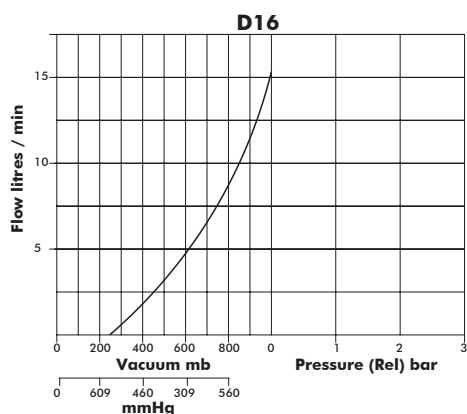
Oil-Free - Vacuum Only Diaphragm Pump

Performance

- 16 and 34 litres/min flow versions



- Efficient, low current draw motor providing long life operation from battery power sources
- Ultra-lightweight design compared with competitive technologies of comparable flow rate
- Oil-free, maintenance free operation
- Innovative diaphragm design provides flow rates previously only achievable from much larger pumps
- Robust construction - ideal for portable applications
- Can be used in any orientation providing flexibility for design



Application Ideas

Medical suction and portable medical suction units

Pick and place machines

Air monitoring devices

Gas analysers

Medical devices

Aspirators

Vacuum holding/lifting

UK Tel: +44 (0)1932 355277

USA Tel: 011 44 1932 355277

Email: info@charlesausten.com

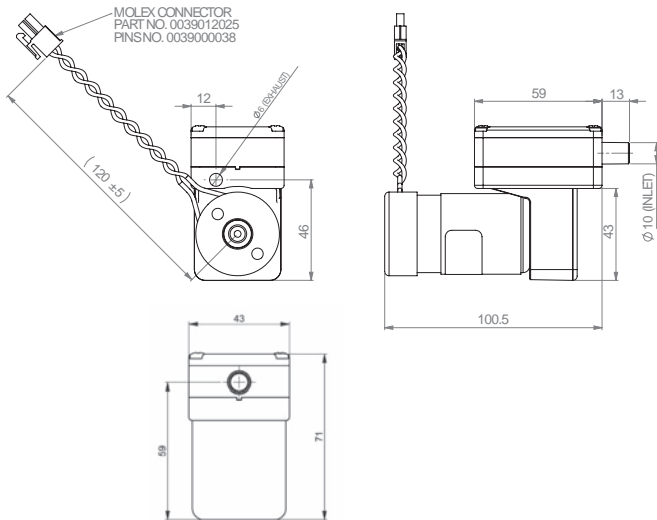
Web: www.charlesausten.com

D16 & D34 series

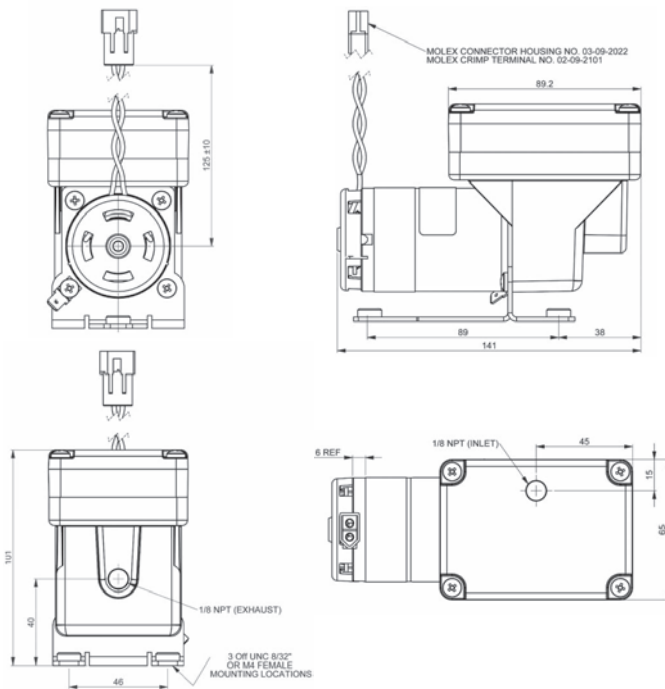
Oil-Free - Vacuum Only Diaphragm Pump

Dimensions

D16 333g / 11.7oz



D34 780g / 27.5oz



Please note - it is important that you ensure the motor specification stated and the range of materials offered in the pump are compatible with the performance, environmental limitations and chemical resistance requirements of the application.

For further information or details of our extensive range of pumps, contact our technical sales office who will be pleased to help you select the most suitable pump for your application.

Motor Type

Model no.	12V DC		
	Operating current	Max load	Fuse rating
D16	0.5A	1.0A	3A
D34	2.5A	3.4A	10A

Performance

Model no.	Max free flow	Max vacuum		Max operating temperature	
	l/min	mbar (abs)	mmHg	°C	°F
D16	15.5	250	572	40°C	104°F
D34	34.0	250	572	40°C	104°F

Pump Material

Component	D16	D34
Head	Nylon	Nylon
Diaphragm	Sarlink	EPDM
Valves	Sarlink	Sarlink/EPDM
Clamp Plate	Polypropylene	Aluminium
'O' Ring	Nitrile	Nitrile

Motors comply with the following EMI (electromagnetic interference) test specifications:

- EN55011 Terminal Voltage Disturbance
- EN55022 Radiated Emission
- CISPR 14/EN55014 Terminal Voltage Disturbance

Motors are RoHS compliant

Distributed by

S30-266/4

