

RD series

Oil-Free - Rotary Diaphragm pump

Charles Austen
Pumps Ltd



Performance

- 0.1 to 5 litres/min flow



RD options

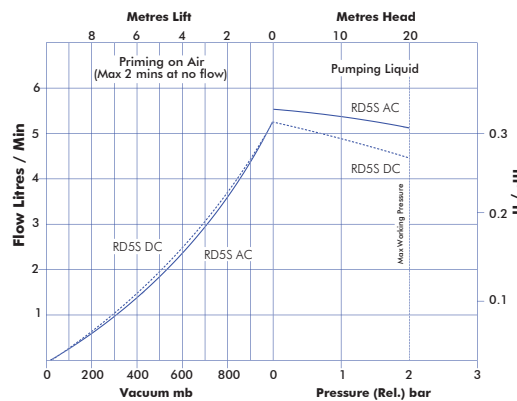
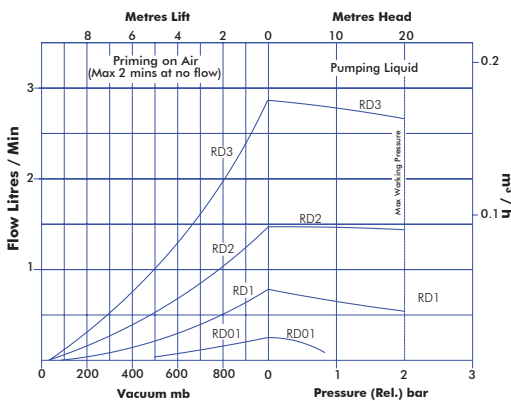


RD Dosing Option

The RD1 accurately pumps the same volume of liquid each revolution proving ideal for dosing. A Hall Effect Sensor is used to sense the number of revolutions the pump makes when it is running. Linking the output signal to an external controller (not supplied), the pump can be set to run for a predetermined number of revolutions. This allows the operator to accurately dose specific volumes of liquid, time and again.

- Revolutionary patented Rotary Diaphragm pumping principle
- Extremely high performance from a compact unit, self primes up to 8m
- Unique reinforced diaphragm provides 10 times the service life of a peristaltic pump
- Self priming and reversible pump action
- Liquid pump variants in both AC or DC voltage suitable for hot and cold liquids
- No valves, non clogging, will even pump jellies and dissolved solids
- Rough dosing versions available
- Application ideas include haematology equipment, body cooling, biochemistry, environmental monitoring, air conditioning and fuel cells

Application Ideas



UK Tel: +44 (0)1932 355277

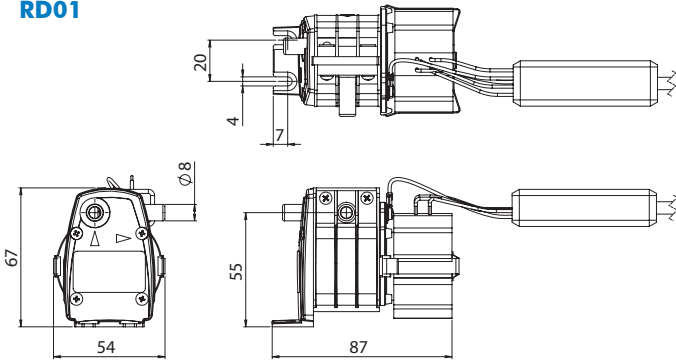
USA Tel: +1 770 831 1122

Email: info@charlesausten.com

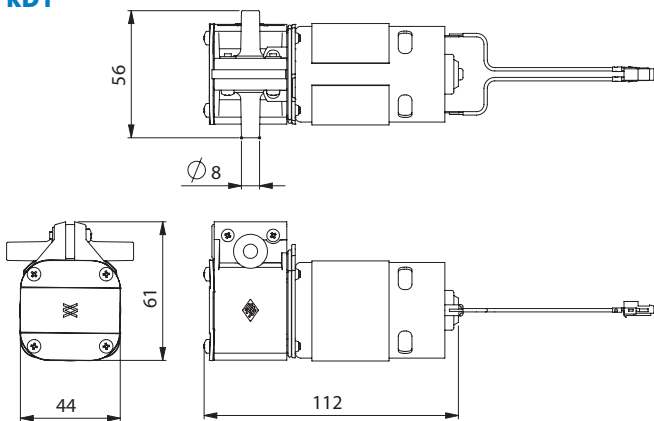
Web: www.charlesausten.com

Dimensions

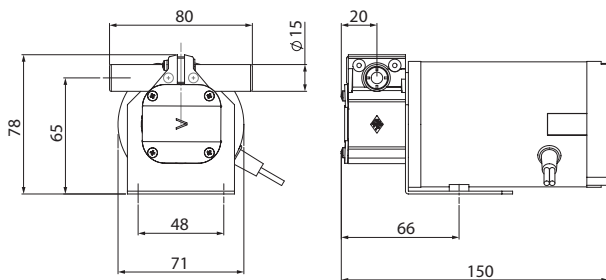
RD01



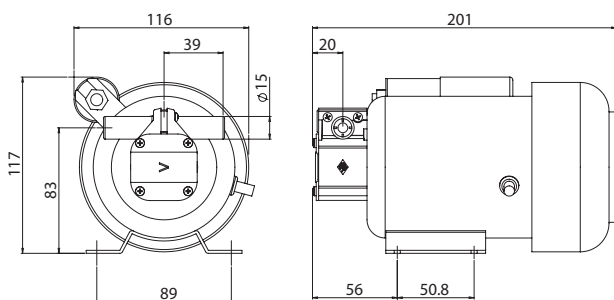
RD1



RD2, RD3, RD5 DC



RD2, RD3, RD5 AC



Revolutionary Pumping Principle

Making all these advantages possible is our advanced rotary diaphragm technology. The liquid is drawn into the pump by vacuum then mechanically driven within a re-inforced elastomer diaphragm to the outlet under pressure. This system even tolerates suspended solids and light slurries and also happily runs dry.



Motor Options

Pump	Operating Current	Max Load	Fuse Rating
RD01 230V	0.01 A	0.03 A	1.0 A
RD01 110V	0.03 A	0.05 A	1.0 A
RD1 12V/24V	0.4 A	0.9 A	1.0 A
RD2 230V	0.3 A	0.5 A	2.0 A
RD2 110V	0.8 A	1.0 A	3.0 A
RD2 12V	1.5 A	2.0 A	3.0 A
RD2 24V	0.75 A	1.5 A	3.0 A
RD3 230V	0.3 A	0.5 A	2.0 A
RD3 12V	4.0 A	5.0 A	10.0 A
RD3 24V	2.7 A	3.0 A	6.0 A
RD5S 12V/24V	4.0 A	3.0 A	10.0 A
RD5 230V	0.45 A	0.5 A	2.0 A
RD5 110V	0.9 A	1.0 A	3.0 A

Performance/Technical

Pump	Flow l/min	Lift Metres	Pressure bar max
RD01	0.14	5	0.7
RD1	0.85	8	2.0
RD2	1.7	8	2.0
RD3	3.0	8	2.0
RD5	5.0	8	2.0

Connections

RD01, RD1, RD2, RD3, RD5 - 8mm straight connector
 RD1, RD2, RD3, RD5 - 15mm straight connector

Various connector orientations are available for ease of installation.

Please note - it is important that you ensure the motor specification stated and the range of materials offered in the pump are compatible with the performance, environmental limitations and chemical resistance requirements of the application. For further information or details of our extensive range of pumps, contact our technical sales office who will be pleased to help you select the most suitable pump for your application.

