



## Oil-Free Diaphragm Liquid Pump

# DL04



Max Flow
0.4 l/min
Max Lift (dry)
2.0 m
Max Head
20 m

### Motor Type

DC: Permanent magnet  
Voltages: 6 or 12V DC

### Connectors

Plain integral Ø4 mm

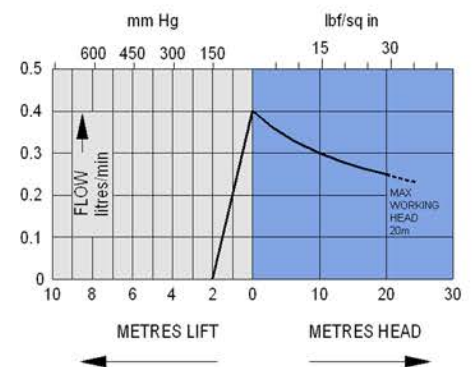
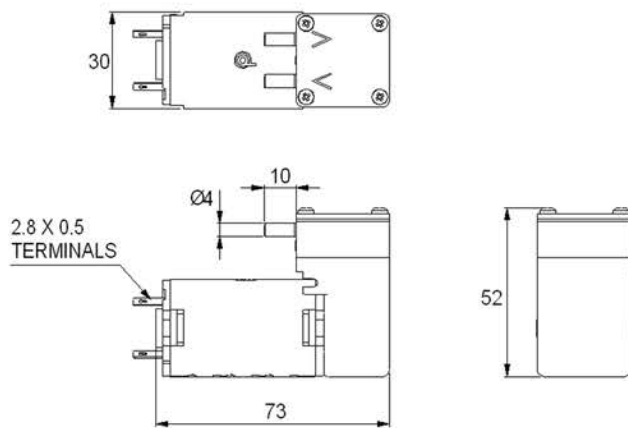
### Performance

dimensions: mm

Model no.	flow at zero head l/min	nominal max. head metres	max lift (dry) metres
<b>DL04</b>	0.4	20.0	2.0

### Technical Drawing

**DL04** 170g



### Pump Materials

component	material
Head	Nylon
Valves & Gasket	EPDM
Diaphragm	EPDM

### Application ideas

Application ideas include head priming and ink scavenging for inkjet printing, medical washers, cooling jackets and beverage dispense.

Please note - it is important that you ensure the motor specification stated and the range of materials offered in the pump are compatible with the performance, environmental limitations and chemical resistance requirements of the application.

For further information or details of our extensive range of pumps, contact our technical sales office who will be please to help you select the most suitable pump for your application.

S30-252/1

