

# MicroBlue™

New GyRok™ Technology



With no additional silencing accessories required, not only is the MicroBlue™ a silent running pump but it can also be mounted in any orientation whilst operating both wet and dry continuously. The MicroBlue™ is a dual voltage pump which uses proven thermistor level sensing technology to remove the risk of stuck or sunken float switches.

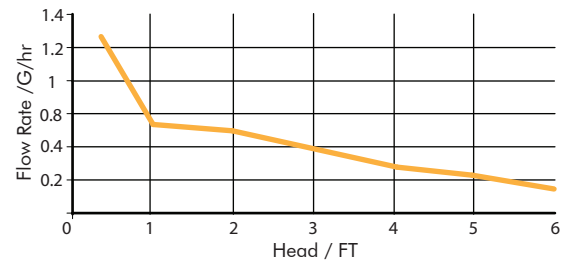


**3** year warranty  
MADE IN BRITAIN

## Performance

17dba

Max flow	Max head	Max suction lift
1.3 gallons/ hour	16 feet	6 feet

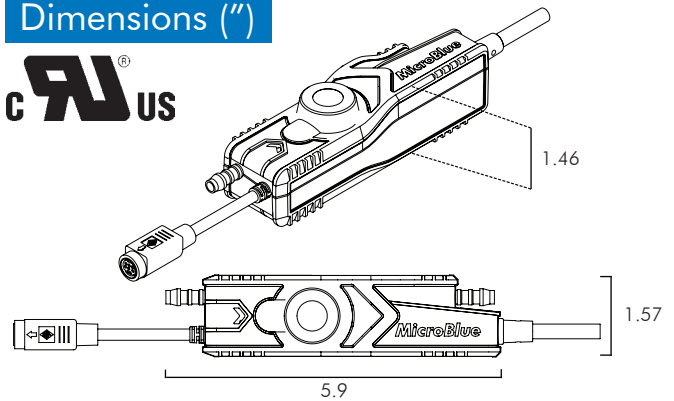


## Sensing Options

MicroBlue™ pump available with:

Reservoir sensor	Ducting Kit	Fascia Kit
X85-003 (HLA PACK)	T18-007	T18-016
		

## Dimensions (")



## Installation Options

The MicroBlue™ can be mounted in any orientation up to 6 feet away from the air conditioning unit.

- 1 Can be fitted inside casing
- 2 MicroBlue Fascia Kit
- 3 MicroBlue Ducting Kit
- 4 Mounted Inside Ceiling Cavity

